



# *PVRC Newsletter*

## *May 2016*

### President's Letter – Bud W3LL

**A**pril was a stellar month for PVRC.

Members converged onto their chapters to discuss the merits of each VP candidate and to vote for the candidate of their choice. Chapter chairmen were ready with ballots and instructions. Treasurer Bill N3RR hand carried chapter ballot envelopes from the post office to the adjudicator. Trustee Ken KE3X along with sons Aiden and Connor triple counted the ballots and sent the tally results to Secretary Tim N3QE who posted the photo finish results to the reflector. In the end Ted W3TB emerges as the winner over Dan K2YWE by two ballots or a margin of less than 2 percent. That's what happens when we have two outstanding candidates nominated.

This month, VP Tom and his team developed and submitted the PVRC Mission Statement garnering approval from both the officers and trustees.

April also marked the beginning of the second quarter which signifies time for the quarterly Leadership Conference Call to all officers, trustees and chapter chairmen. All work list items generated from the first call-in were completed and we're ready for a new list of challenges from the membership. I'll have more to say about this next month as your editor has me submitting this article prior to the end of the month.

Although PVRC is a club sharply focused on winning club competition contests, many of our members also moonlight as DXer's. The past two months provided a cornucopia of activity with four outstanding DXPeditions from South Sandwich, South Georgia, Heard Island and Juan de Nova. All rare ones providing a possibility of adding up to 4 ATNOs (all time new ones) to your DXCC total and maybe Honor Roll or top of the Honor Roll with the deletion of Kingman Reef. Also don't forget the DXCC Challenge where up to 44+ band modes could be tallied.

Next up is Dayton. I can hear the plans of PVRC members taking shape! Hope to see you there.

Don't forget the Contest Super Suite at the Crowne Plaza. PVRC is sponsoring pizza on Friday night.

I'll be at the contest dinner on Saturday evening and afterwards at the Crowne Plaza Super-Suite with a sign-in sheet for PVRC members and guests.

This time of year things tend to be a little slow but we have two events I'd like you to mark on your calendar. The first is WPX CW May 30 & 31. If you can, get on, have some fun, and help contribute to the team effort. It's the last HF event which qualifies for the Club 5M program for 2015-2016.

The second item is our Reunion the first weekend in June. You've probably heard the saying "Once a Member, Always a Member" of PVRC.

Well, on June 3-4, PVRC will continue with a 47-year tradition - the PVRC On Air Reunion. This event encourages all PVRC members to search each other out on the air and chat about old times, new times, and just catch up. Since we're a 'contest club' after all, there will be scoring, multipliers, and focus frequencies as usual. Our Secretary Tim N3QE will again take on the role of PVRC On Air Reunion Contest Director. Watch the reflector for further details from Tim.

What does PVRC mean to you? I think sometimes we forget about all of the work that our members do to make PVRC the great club that it is. Do you admire the 5 Million Point Program Plaque hanging on your wall? How about the PVRC club win plaques, endorsements or gavels? Thank Bill N3RR for his hard work. Do you check your 5 million point totals after every

contest? Thank Alan, AA4FU. Do you attend our Chapter meetings? These happen because members like Dan Zeitlin K2YWE, Art K3KU, Rich NN3W, Bill NR4C, Eric W3DQ, Eric WG3J, Bill N3XL, Nate N4YDU, Henry W2DZO, Jim WX3B, Larry K7SV, Tom ND3N, Mark N2QT, Don W4ZYT and many others organize them. Club officers and trustees work in the background keeping the club running smoothly. Also thank Eric W3DQ, reflector administrator, Bob K4NTO webmaster, Neal K3NC for the Galactic Event. Join me also in enjoying this issue of the PVRC newsletter presented by our editor John K3TN. Please take a moment to think about what PVRC means to you and thank one of our members who "makes it happen."

Do you know that PVRC requires nearly \$3,000 in cash flow each year? Our treasurer Bill N3RR recently reminded me of this. Although we have income from advertising, we need sufficient member donations because of the IRS 35% rule for 501 (c) (7) entities: We cannot have non-member sourced income (which comes mostly from our non-member advertisers) exceed 35% of all revenues. That's where you come in. If you appreciate all that PVRC does for you please donate to this worthy cause.

Also, did you know last year we received \$2500 in donations from only 48 members out of over 300 members who participate in the 5 Million Award Program and over 400 on the PVRC reflector? So far this year PVRC has received member donations of only \$336 from just eleven members. At "The PVRC Christmas Dinner" last year PVRC received \$885 in voluntary member donations. That's donation revenue that we will no longer see unless members continue to donate via other means. So, we more than ever are in need of your individual donations.

It can be easily done by hitting the DONATE button on the front page of our website, on the bottom of this newsletter - all with a click to donate via PayPal. Or, send your donation check to the PVRC address shown on the front of the webpage. Thanks!!!

Now it's off to the races with our sports section update.

The major contest season is now tapering down a bit. Since the last newsletter, the only additional 5M contest in the books is the CQ WPX SSB event. 3830 scores list 39 PVRC entrants. There are a lot of categories in this one, and many of our members found their niches. Let's start with the big guns - the PVRC multiop entries: WX3B defended the US and NA M/M title with over 6,000 QSO's and a score of 24M. KE3X (at N3HBX) took the top spot in US/NA multi/single HP with a score of 17.5M. KB3WD put up a No. 1 place in multi/single LP (2nd place world) with 11M points. Big single op scores included N3KS (as KU3K), No. 2 in SO HP US with 15.3M and K3ZO at 10.4M. New PVRC member AB3WS took the top spot in SOAB QRP in the Rookie overlay - way to go Sonny!

There were a few other entrants worthy of note with a PVRC connection (if not PVRC qualified scores). KU1CW (Alex is a WRTC 2014 competitor) operated well-known PVRC station W4AAW in VA remotely from the west coast taking the top US spot in SO (A) AB HP with a score of 5.7M. PVRC's own Tucker, W4FS, had a victory in his category in the Rookie overlay, but was operating out of circle using a remote station in ENY.

At the mid-point of the NAQP Club Challenge, PVRC is in the lead, positioning us for possibly reclaiming the NAQP Club Challenge Cup. For the complete details, take a look at the

really neat NAQP Club Challenge Web site by K9WX. The link to the current standings is [here](#).

With the January/February NAQP's in the books, PVRC has 1.2 billion (yep, that's right, billion!) points vs. 628 million for The Society of Midwest Contesters and 262 million for The Northern California Contest Club. PVRC put up big numbers in CW and SSB, while SMC is continuing to dominate the RTTY events big time. Last year, SMC put up a big lead early and played to their strength in RTTY to beat us. But beware: complacency is a danger! SMC has shown that they can put up big scores in these events when they put their mind to it, so a comeback in the summer events is a real possibility. PVRC had 314 participants in the January/February events, but SMC wasn't terribly far behind at 260. The NAQP Club Challenge web site also shows the scores submitted by each call, sorted by club, and it is fun to look at that, too. Prepare to contribute to a show of force by PVRC in the July/August NAQP's! The Club Challenge works by multiplying total scores submitted by total participants, so we need both the dedicated and casual ops from PVRC to come out and play.

PVRC scored a club victory in the FL QSO party for 2015. PVRC'er N4CW in FL put up a big score (143K) as a mobile. 14 PVRC scores were submitted, including some big numbers from K7SV (88K), W4EE (80K), K4QPL (52K), AA4FU (47K), K4EU (44K) and WJ9B (43K).

The GA QSO party also saw some serious PVRC competitors, with N4CW putting up 46K and K4QPL scoring 43K.

That's it for this month. The navigator has the chart on the plotting table covered in vellum along with parallel rules and protractor. Sextant in hand, timepiece hanging from the neck, and Nautical Almanac with sight reduction tables pulled from the shelves ready for a

present position FIX. He's ready to start a course correction plot while waiting for a destination from the Leadership Conference... No GPS for this crew.

73, Bud W3LL

<b>PVRC Officers:</b>		<b>Trustees:</b>
President:	W3LL Bud Governale	K3MM, N3OC, WX3B, W4ZYT, N4NW, K2AV, KE3X, K4ZA, K3WRY
Vice President:	K3AJ Tom Valenti	
Vice President:		
Secretary:	N3QE Tim Shoppa	<b>PVRC Charter Members (all SK):</b>
Treasurer:	N3RR Bill Hider	W3GRF, W4AAV, W4KFC, N0FFZ, W4LUE, W7YS, VP2VI/W0DX, W3IKN, W4KFT
PVRC Website: <a href="http://www.pvrc.org">http://www.pvrc.org</a>		

### New AD1C Tool for Splitting ADIF Files by QTH

If you do roving in VHF contests or mobile in state QSO parties, you often end up with a log where your contacts are made from multiple grids or counties. If you want to upload to LotW and give others credit for the grid or county, you need to split your log up by QTH.

Jim AD1C has written many useful ADIF tools and has now added a tool to split ADIF files by QTH – check it out [here](#).

### Rappahannock Chapter Meeting on Jun e18th – Lar K7SV

The next meeting will be on June 18 at K7SV with pot luck meal. Contact [K7SV](#) for info.

## Annapolis Chapter Meeting – Hank K3YDX



At the March Annapolis Chapter meeting, clockwise from the left front: Bruce WK3A, Fred K3ZO, Uliis K3LU, Mike K3MAW, Bill W3UL, Marty W3YOZ, Dan K2YWE and the forearm of Bob W9GE...

Also included at the meeting but not shown are me, Rol K3RA, Barry K3NDM, Sonny AB3WS, Doug NA1DX, Rob N3HU and a big surprise, Bob KC3VO.

## Flex Presentation/PVRC meeting/Dinner Blacksburg May 7 – Mark N2QT

A presentation will be done by Steve and Gerald from Flex as they talk about the new developments in their SDR products (as well as who is using them, (rumor is that 4O3A and K9CT are enthusiastic users.)

Meeting will be in room 2013 in the ICTAS-CRC building at 1991 Kraft Drive Blacksburg VA. You will need to be escorted into the building, and to be on the 'list'. It is mandatory that you confirm your attendance as late comers may not be admitted.

Dinner will be at 6:30 PM followed by the talk. Attendance is limited to 50 people, and is open to all interested hams. Since this will be the first in person exposure to PVRC for several of the attendees I will have handouts and other PVRC info available for them. The meeting will be brief so as to not detract from the presentation.

Please contact me (Mark N2QT) for info and attendance updates. Thanks to Bob W4HY for arranging all this.

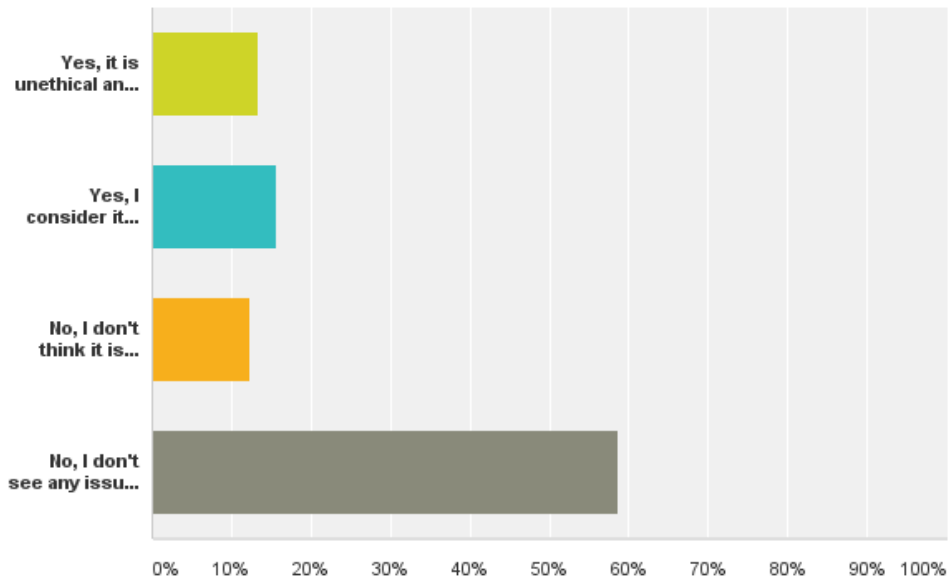
## Results of “Contest Category Shopping Ethics Survey – John K3TN

During the end of last year there was CQ-CONTEST commentary on people posting their results on 3830 scores in one category, but submitting to the contest sponsor in a different category – mostly going from Multi-Multi to Multi-Single or the equivalent in an effort to choose a category where their score would win, or at least place higher.

I put up a survey on the issue and got over 300 responses, results shown below. While there was some feeling my wording was biased towards the “No issue” answer, a clear majority felt there was nothing official about 3830 and as long as sponsors allowed it there was no problem selecting your category after the contest.

**Q1 With the use of the 3830 scores reporting web site, it has become possible to look at the 3830 posted scores and decide to change your entry category before you submit your log to the contest sponsor. Examples are moving from Multi-Single to MultiMulti or Non-Assisted. This is generally not against any rules, but many consider it to be unethical or unacceptable behavior. Do you feel that changing your contest category after the contest is over is unethical?**

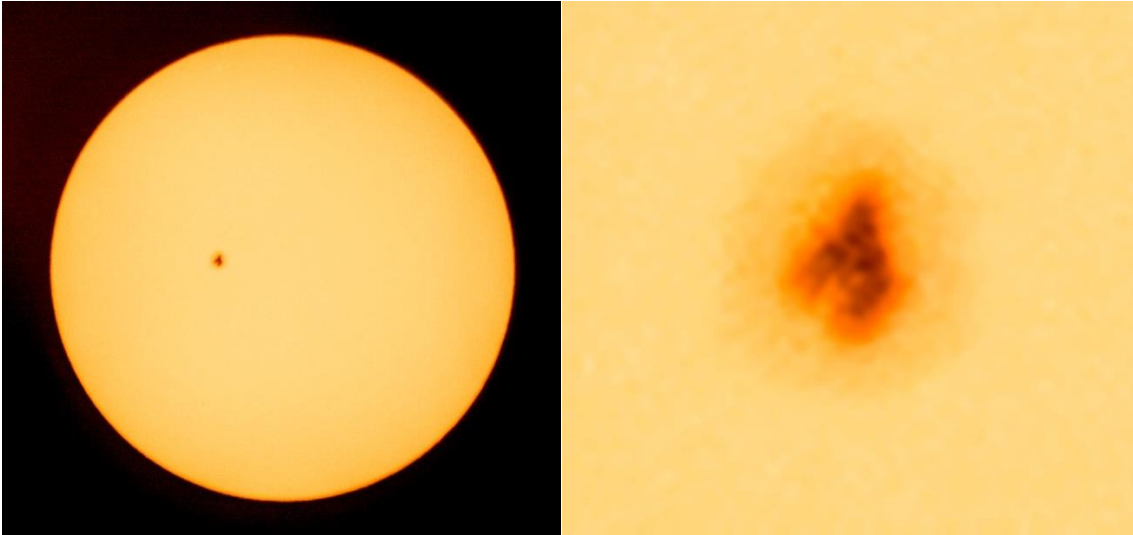
Answered: 331 Skipped: 1





## Amateur Sunspot Photography – John N3AM

That shot of the large sunspot on April 12<sup>th</sup> on Spaceweather.com from the Malaysian observatory sure has a lot of clarity. Here's what I got this afternoon with my 400mm lens on my Nikon D7100, processed with Photoshop:



(Below is the picture from [Spaceweather.com](http://Spaceweather.com): )



## **Making Changes to ARRL Contest Rules - John W2GD**

*(Reprinted with permission from the Frankford Radio Club (FRC) April newsletter)*

Recent discussions on the FRC Reflector about rule changes compelled me to write this short article about the process used to make ARRL contest rule changes. Let me give you a hint - the process is rather drawn out and yes - in today's terms you might see it as being burdensome and bureaucratic.

Full disclosure - I served as the Hudson Division Contest Advisory Representative for five frustrating years.

There are four ARRL entities that interact in the contest rule change process:

1. ARRL Board of Directors (ARRL BOD)
2. ARRL Program and Services Committee (PSC)
3. ARRL Contest Advisory Committee (CAC)
4. Headquarters Awards Committee (HAC)

Below is what I believe to be the current process for implementing contest rule changes - you will not find it defined in any detail on the ARRL website. As you will read it is full of start and stop points with multiple opportunities for a change request to be nixed.

It starts with one or more ARRL Directors sending a request to the ARRL Program and Services Committee (PSC) which may in turn decide to 'task' the Contest Advisory Committee (CAC) to discuss and vote upon the topic in the request. The PSC acts as a filter and can stop requests before they are passed to the CAC for discussion.

The ARRL Contest Advisory Committee (CAC) does not have the charter to take any action on rules or any other aspect of contesting independently. Since sometime in the 1980s the CAC's ability to make rule changes was taken away by ARRL BOD. The CAC can only make recommendations and only on subjects that it is 'tasked' to consider by the ARRL BOD through the PSC and general the CAC is not allowed to discuss other topics on their own initiative. The CAC is comprised of representatives appointed by each ARRL Director. K3WW is the current Atlantic Division representative.

The present CAC Chairman is FRCer George, K5KG. The Chairman receives the 'taskings' from the PSC staff liaison NN1N and circulates them among other CAC members who submit comments. The Chair consolidates CAC discussion points, may request additional comments, hold conference calls to discuss the topic, and ultimately may bring a subject to a formal CAC vote.

The Headquarters Awards Committee (HAC) reviews CAC recommendations and may decide to return them back to the CAC for changes or additional review. They also advise the PSC on CAC recommendations when they are returned to the PSC which ultimately decides if the requested change is submitted for ARRL BOD approval.

Bottom line, if you want a contest rule change, it must be initiated by an ARRL Director, and it then must get past the PSC, CAC and HAC hurdles to be enacted.



## Realistic View of Six Meters – Bert W3GG via John N3AM



## 3-Land QSL Buro Statistics – Fred K3ZO via Eric W3DQ

During the second half of 2015 we received a total of 64,357 cards following our total during the first half of the year of 76,552 cards. So the total number of cards received during 2015 was 140,909 cards, or in other words a nine percent drop from our 2014 total of 154,023 cards.

This follows last year's ten percent drop in QSL volume compared to the 2013 total of 171,135 cards. It is only speculation to hazard a guess as to why bureau volume continues to drop off, but my best guess is that a combination of increased use of LotW along with a gradual decline in the sunspot cycle are responsible.

*(LotW user count is now above 86,000 and since estimates of the numbers of DXers and contesters out there usually come in between 100K and 150K – LotW is past the tipping point – K3TN)*

## North American CW Weekend: 3-5 June 2016, Falls Church, VA

The 2016 CW Weekend will take place June 3-5 at the Fairview Park Marriott in Falls Church, Virginia. The weekend is open to all hams or others with an interest in CW or Morse code communication and provides a great opportunity to connect with old friends, make new ones, and enjoy eyeball QSOs with folks you have worked on the bands for years.

Activities include an informal pizza dinner on Friday evening, followed by a brunch Saturday morning hosted by Jim N3JT and Nina KE4PSV at their home in McLean. Dinner will follow that evening at Clyde's in Tyson's Corners. There will be a modest registration of \$ 15 per person or \$ 25 per couple to cover costs. Further information is available from Don W4ZYT at [w4zyt.don@gmail.com](mailto:w4zyt.don@gmail.com).

## Membership News

PVRC had another shutout in the last month – no new members were reported.

Chapter leaders please remember to complete the [Meeting Attendance Report](#).

## Upcoming Contests and Log Due Dates

### Contests This Month

- May 7 – ARI DX
- May 14 – CQM DX
- May 13 – VOLTA RTTY
- May 21 – EA CW
- May 21 – Baltic Contest
- May 28 – WPX CW

### Logs Due This Month

- May 2 – YU DX
- May 10 – JIDX
- May 10 – Yuri Gagarin
- May 17 - Manchester Mineira

See WA7BNM's [Contest Calendar](#) for more detail and the latest information.

## The Editor's Last Word – John K3TN

Thanks to Mark N2QT, Hank K3YDX, John N3AM and Eric W3DQ for submissions for this month's newsletter. If you have any good contest stories or station photos, or anything else – send to [jpescatore at aol dot com](mailto:jpescatore@aol.com) by the 25<sup>th</sup> of each month.

## From the PVRC Treasurer – Bill N3RR

PVRC has chosen not to implement an annual Dues requirement. We depend on the generosity of all of our club members to finance our annual budget. In addition, active PVRC members are expected to participate and submit logs for at least two PVRC Club Competition contests per year.

When contemplating your donation to PVRC, each member should consider the benefit you are receiving from PVRC and its many opportunities for your personal growth in our wonderful hobby, then donate accordingly.

Direct donations to PVRC via Credit Card or PayPal may be made by clicking this "Donate" button and clicking the next Donate button that appears on your screen:



**Donations to PVRC are not tax deductible**

## Eyeball QSO Directions

The latest info on local club meetings and get together will always be sent out on the [PVRC reflector](#) and posted on the PVRC [web site](#).

**NW Region:** Meetings are generally held on the third Tuesday of each month at: [Chef Lin](#), 417 S Jefferson St. Frederick, MD 21701 Phone #: 301-620-0664(2675)  
The meeting begins at 7:00 PM.

Contact: Jim [WX3B](#)

**DC Metro:** Meets monthly the second Monday of each month, except June, July & August). The location alternates between the below MD and VA locations. Pre-meeting dinners start at 6:00 pm and meetings start at 7:30 pm.

VA LOCATION: Anita's, 521 E. Maple Ave, Vienna, VA. Tel: 703-255-1001. Meets at this location during the months of February, April and October.  
Contact: Rich [NN3W](#)

MD LOCATION: Max's Café. 2319 University Blvd W, Wheaton MD 20902. Tel: 301-949-6297 People usually begin arriving at the restaurant around 6:00. Meets at this location during the months of January, March, May, September and November. Contact: Art [K3KU](#)

**The Laurel, MD Region: Bill N3XL** The PVRC get-together is held at the first [LARC](#) meeting each quarter at the clubhouse.

**The Annapolis Crew: Dan K2YWE** Meetings are held on the 4th Wednesday of each month at Broadneck Grill in Annapolis. We gather at about 5:30 PM and order dinner about 6. We break up usually before 8 PM. E-Mail [K2YWE](#) to be put on the e-mail reminder list.

**PVRC-NC:** The **PVRC-NC East** chapter meetings are held at [Manchester's Bar and Grill](#) on the 9100 block of Leesville Rd. in North Raleigh, with "QRM" beginning at 6:00pm and the dinner meeting following shortly thereafter. The meeting is held monthly on the 1st Thursday of most months, cancellations or changes usually announced on the [PVRC-NC website](#).

The **PVRC-NC West** chapter meets the 3rd Monday of each month (except December) at about 7:00 PM at Hams Restaurant, 414 S. Stratford Rd., Winston-Salem on the south end of the Thruway Shopping Center. We meet in the front meeting room of the restaurant. A wide variety of cold 801s and Sports bar menu available. Contact Henry Heidtmann [W2DZO](#), full info at <http://www.w4nc.com>

**Over the Hill Bunch:** The group meets for lunch at noon alternately in Maryland at the Sir Walter Raleigh Inn 6323 Greenbelt Rd, Berwyn Heights, MD or in Virginia at Anthony's restaurant in Falls Church. Meetings generally are held on the last Wednesday of the month and are subject to change. Meetings are announced by E-

Mail. All PVRC members, non-members interested in membership and guests are welcome. For information contact Roger Stephens, [K5VRX](#), 703-658-3991 for Virginia meetings; or Cliff Bedore [W3CB](#) or get on 147.00 for Maryland meetings.

**Downtown Lunch Group:** Meets at noon on the first Wednesday of the month in the downtown area of Washington, DC. Location: R.F.D. Washington, 810 Seventh St., N.W. Closest Metro stop is GALLERY PLACE-CHINATOWN (Red, Green and Yellow lines). Any changes will be sent out on the PVRC reflector. Feel free to contact Eric W3DQ or Brian WV4V for details and directions.

**Southwest VA Chapter:** The Southwest VA group meets each Wednesday at about 8:30 AM at Hardees at 20265 Timberlake Road in Lynchburg, VA. This is an informal gathering, but normally has about 10-12 attendees. Contact Mark Sihlanick N2QT, Tel: 434-525-2921

**Eastern Shore Chapter:** Meets every three months, on the second Saturday of April, July, October and January at noon. In keeping with the tradition established by SK Dallas W3PP we will also meet at the contest station of Eric WG3J one hour before the start of most major contests. Contact Eric Hudson [WG3J](#)

Location: Delmar Pizza, north west corner of the intersection of highways 13 and 54 in Delmar, De.

**Southern Maryland Chapter:** Currently on hiatus, if interested in meeting contact the Chapter Chair, Tom Shelton, [ND3N](#) via email or (240)

**Colonial Capital Chapter:** Meets the 2nd Thursday of each month at 8:30 am  
Location: Hot Stacks Restaurant, 6495 Richmond Rd, Williamsburg, VA 23188  
757-565-1105

Contact: Bill Conkling [NR4C](#)

**The Tidewater Chapter meets** the 3rd Tuesday of every month at Frankie's Place for Ribs located in the Fairfield Shopping Center on the corner of Kempsville Rd and Providence Rd in Virginia Beach. The meeting starts at 7:00 PM.

Contact either Chapter Chair: Don Lynch, [W4YZT](#), or Ron Young, [W8RJL](#) All amateurs are invited.

If you'd like to add or correct a listing, contact [K3TN](#) for inclusion in the Newsletter!

## Now a Word From Our Sponsors

PVRC doesn't ask for dues, but the Club does have expenses. You can also support the Club by buying from the firms listed who advertise in the newsletter!

**QSL CARDS By LZ1JZ**

**WWW.LZ1JZ.COM**



By Scott KA9FOX

- Free Ham Radio Classifieds (most popular ham swap site)
- Low Cost Web Hosting, Email & Domain Name Services
- Web Design & Development

**<http://www.QTH.com>**



## Your source for DX News!

**The Daily DX** - is a text DX bulletin that can be sent via e-mail to your home or office Monday through Friday and includes DX news, IOTA news, QSN reports, QSL information, a DX Calendar, propagation forecast and much, much more. With a subscription to The Daily DX you will also receive DX news flashes and other interesting DX tidbits. *Subscriptions are \$49.00 for one year or \$28.00 for 6 months.*

**The Weekly DX** - is a product of The Daily DX that can be sent weekly to your home or office via e-mail in the form of a PDF (portable document format). It includes DX news, IOTA news, QSN reports, QSL information, a DX Calendar, propagation forecast and graphics. *Subscriptions are \$27.00 for one year.*

Get a free two week trial of The Daily DX and The Weekly DX by sending a request to [bernie@dailydx.com](mailto:bernie@dailydx.com).

The Daily DX  
3025 Hobbs Road  
Glenwood, Maryland 21738  
Phone: 410-489-651  
Skype w3ur-bernie



**ANAHEIM, CA**  
(Near Disneyland)  
933 N. Euclid St., 92801  
(714) 533-7373  
**(800) 854-6046**  
Janet, KL7MF, Mgr.  
anaheim@hamradio.com

**BURBANK, CA**  
1525 W. Magnolia Blvd. 91506  
(818) 842-1786  
**(800) 854-6046**  
Eric, KA6IHT, Mgr.  
Magnolia between  
S. Victory & Buena Vista  
burbank@hamradio.com

**OAKLAND, CA**  
2210 Livingston St., 94606  
(510) 534-5757  
**(800) 854-6046**  
Mark, W7YN, Mgr.  
I-880 at 23rd Ave. ramp  
oakland@hamradio.com

**SAN DIEGO, CA**  
5375 Kearny Villa Rd., 92123  
(858) 560-4900  
**(800) 854-6046**  
Tom, KM6K, Mgr.  
Hwy. 163 & Claremont Mesa  
sandiego@hamradio.com

**SUNNYVALE, CA**  
510 Lawrence Exp. #102, 94085  
(408) 736-9496  
**(800) 854-6046**  
Dan K6DN, Co-Mgr.  
Howard, W6HOC, Co-Mgr.  
So. from Hwy. 101  
sunnyvale@hamradio.com

**NEW CASTLE, DE**  
(Near Philadelphia)  
1509 N. Dupont Hwy., 19720  
(302) 322-7092  
**(800) 644-4476**  
Rick, K3TL, Mgr.  
RT.13 1/4 mi., So. I-295  
newcastle@hamradio.com

**PORTLAND, OR**  
11705 S.W. Pacific Hwy.  
97223  
(503) 598-0555  
**(800) 854-6046**  
Leon, W7AD, Mgr.  
Tigard-99W exit  
from Hwy. 5 & 217  
portland@hamradio.com

**DENVER, CO**  
8400 E. Hill Ave. #9, 80231  
(303) 745-7373  
**(800) 444-9476**  
John, N5EHP, Mgr.  
denver@hamradio.com

**PHOENIX, AZ**  
1939 W. Dunlap Ave., 85021  
(602) 242-3515  
**(800) 444-9476**  
Gary, N7GL, Mgr.  
1 mi. east of I-17  
phoenix@hamradio.com

**ATLANTA, GA**  
6071 Buford Hwy., 30340  
(770) 263-0700  
**(800) 444-7927**  
Mark, KJ4VO, Mgr.  
Doraville, 1 mi. no. of I-285  
atlanta@hamradio.com

**WOODBRIIDGE, VA**  
(Near Washington D.C.)  
14803 Build America Dr. 22191  
(703) 643-1063  
**(800) 444-4799**  
Steve, W4SHG, Mgr.  
Exit 161, I-95. So. to US 1  
woodbridge@hamradio.com

**SALEM, NH**  
(Near Boston)  
224 N. Broadway, 03079  
(603) 898-3750  
**(800) 444-0047**  
Chuck, N1UC, Mgr.  
sales@hamradio.com  
Exit 1, I-93,  
28 mi. No. of Boston  
saalem@hamradio.com

## Special Holiday Discounts Off Our Already Low Prices!



# HAM RADIO OUTLET

WORLDWIDE DISTRIBUTION

### GREAT YAESU WINTER SPECIALS Through 12/31/06



**FT-897D** VHF/UHF/HF Transceiver

- HF/6M/2M/70CM • DSP Built-in
- HF 100W (20W battery)
- Optional P.S. • Tuner • TCXO Built-in

Call Now For Our Low Pricing!

**\$10** HRD Coupon  
**\$70** off coupon  
Expires 12/31/06

**FT-817ND** HF/VHF/UHF TCVR

- 5W @13.8V ext DC • USB, LSB, CW, AM, FM
- Packet (1200/9600 Baud FM) • 200 mems
- built in CTCSS/DCS • TX 160-10M, 6M, 2M, 440
- Compact 5.3" x 1.5" x 6.5", 2.6 lbs
- FNB-85 NiMH battery • NC-72B included

Call Now For Low Pricing!

**\$10** HRD Coupon  
**\$50** off coupon  
Expires 12/31/06

**FT-8900R** 2M/440 Mobile

- V+UV+V/U-U operation
- V+U full duplex • Cross Band repeater function
- 50W 2M 35W UHF
- 1000+ Memory channels
- WIRES ready

Call Now For Low Pricing!

**\$10** HRD Coupon  
**FREE** YSK-8900 thru 12/31

**FT-8900R** Quadband Transceiver

- 10M/6M/2M/70CM • Wires capable
- 800+ memories • Built-in CTCSS/DCS
- Remotable w/optional YSK-8900

Call Now For Special Pricing!

**\$10** HRD Coupon  
**FREE** YSK-8900 thru 12/31

**FT-2000** HF + 6M tcvr

- 100 W w/ auto tuner • built-in Power supply
- DSP filters / Voice memory recorder
- 3 Band Parametric Mic EQ • 3 IF roofing filters

Call Now For Low Pricing!

**\$10** HRD Coupon  
**NEW!**

**VX-2R** 2M/440 HT

- World's smallest Dual-band HT w/ wide RX
- 1.5 W RF output
- WIRES compatible
- 1300 Memory channels

Call For Low Price!

**\$25** off coupon  
**\$5** HRD Coupon  
Expires 12/31/06

**VX-2R** 2M/440 HT

- World's smallest Dual-band HT w/ wide RX
- 1.5 W RF output
- WIRES compatible
- 1300 Memory channels

Call For Low Price!

**\$25** off coupon  
**\$5** HRD Coupon  
Expires 12/31/06

**FT-60R**

- 2m/440 HT
- 5W Wide-band receive
- CTCSS/DCS Built-in
- Emergency Auto ID

Low Price!

**\$10** off coupon  
**\$5** HRD Coupon  
**NEW!**  
Expires 12/31/06

**VX-7R/VX-7R Black**

- 50/2M/220/440 HT
- Wideband RX - 900 Memories
- 5W TX (300mw 220Mhz)
- Li-Ion Battery
- Fully Submersible to 3 ft.
- Built-in CTCSS/DCS
- Internet WIRES compatible

Now available in Black!

**\$5** HRD Coupon  
**\$30** off coupon  
Expires 12/31/06

**VX-6R**

- 2M/220/440HT
- wideband RX - 900 memories
- 5W 2440, 1.5W 220 MHz TX
- Li-ION Battery • EAI system
- Fully submersible to 3 ft.
- CW trainer built-in

**NEW** Low Price!

**\$5** HRD Coupon  
**NEW!**

**VX-150**

- 2M Handheld
- Direct Keypad Entry
- 5w output
- 209 memories
- Ultra Rugged

Call Now For Special Pricing!

**\$10** off coupon  
**FREE** FNB-64 thru 12/31  
Expires 12/31/06

**FT-857D**

- Ultra compact HF, VHF, UHF
- 100w HF/6M, 50w 2M, 20w UHF
- DSP included • 32 color display
- 200 mems • Detachable front panel (YSK-857 required)

Call For Low Price!

**\$10** HRD Coupon  
**FREE** YSK-857 thru 12/31  
**\$70** off coupon  
Expires 12/31/06

**FT-7800R** 2M/440 Mobile

- 50w 2m, 40w on 440mhz
- Weather Alert
- 1000+ Mems
- WIRES Capability
- Wideband Receiver (Cell Blocked)

Call Now For Your Low Price!

**\$10** HRD Coupon  
**FREE** YSK-7800 thru 12/31  
**\$25** HRD Coupon

**FT-2000** HF + 6M tcvr

- 100 W w/ auto tuner • built-in Power supply
- DSP filters / Voice memory recorder
- 3 Band Parametric Mic EQ • 3 IF roofing filters

Call Now For Low Pricing!

**\$10** HRD Coupon  
**NEW!**

**VX-150**

- 2M Handheld
- Direct Keypad Entry
- 5w output
- 209 memories
- Ultra Rugged

Call Now For Special Pricing!

**\$10** off coupon  
**FREE** FNB-64 thru 12/31  
Expires 12/31/06

**FT-8900R** Quadband Transceiver

- 10M/6M/2M/70CM • Wires capable
- 800+ memories • Built-in CTCSS/DCS
- Remotable w/optional YSK-8900

Call Now For Special Pricing!

**\$10** HRD Coupon  
**FREE** YSK-8900 thru 12/31

AZ, CA, CO, GA, VA residents add sales tax. Prices, specifications, descriptions, subject to change without notice.

Look for the HRD Home Page on the World Wide Web <http://www.hamradio.com>

**COAST TO COAST FREE SHIPPING**  
UPS - Most Items Over \$100  
Rapid Deliveries From The Store Nearest To You!



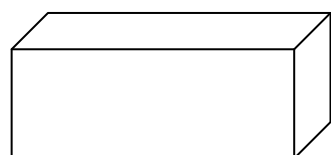
# Attention: Contesters

7 Big Problems that are Probably Affecting Your Scores Right Now!

and

How The RF Connection's Mike-Link and  
Shure® Legendary Performance™ Broadcast Headsets

Solve them ALL!



Your Radio

← Mic/PTT cable  
RX Audio: L/R cable  
From Footswitch →



The RF Connection's  
Mike-Link

← Headset cable →



Shure BRH440M  
Broadcast Headset

## Problem #1: Foot Not Near Footswitch, QSO Missed

### Solution #1

Use Your Finger Instead!

- Mike-Link finger-touch PTT
- Momentary SPST switch
- Positive tactile feel



## Problem #5: Operating CW, you have a "pain in the head" after "Y" hours on-air

### Solution #5 - Use Mike-Link

Periodically, Flip the Reverse/Inphase Audio Switch

- Reverses mono audio source for greater listening pleasure



## Problem #2: You wear eyeglasses and you have a "pain in the temple" after "X" hours on-air

## Problem #3: Brand 'Z' comfortable headset solves problem #2, BUT increases external background noise

### Solutions #2 & #3

Use Shure BRM440M  
Broadcast Headset

- External background noise isolating
- Closed back—noise isolating
- Gamer-style, circumaural (over-the-ear) ear cup pads



## Problem #6: Special microphone is needed for your ICOM radio

## Problem #7: External batteries needed when your ICOM-specific headset is used with other radio brands

### Solutions #6 & #7

Use Mike-Link & Shure BRM440M

- Built-in, user-selectable, Active ICOM pre-amp
- External power/battery NOT required
- Built-in, user-selectable mic input impedance 2.5K or 10k

Call For Your FREE REPORT:

"The R.F. Connection's 'Mike-Link' and  
Shure® Legendary Performance™  
Broadcast Headsets"

Call Joel for your SPECIAL PVRC PRICE!

**301-840-5477**

## Problem #4: "RF in your mic audio OM!"

### Solution #4 - Use Mike-Link

Ferrite RF suppression chokes included on:

- microphone audio
- receiver audio
- PTT



# DX ENGINEERING®.com

## DX ENGINEERING®



### Coaxial Cable Tool Kits

Carry everything you need to prep and install solder connectors on your coaxial cable. The Basic Kit is tailored for RG-213 and RG-8 cable with PL-259 connectors. Upgrading to the Complete Kit gives you additional tools to work with RG-8/X size cable and Type N connectors.

## DX ENGINEERING®

### Receive Four Square Packages

These receive antenna systems provide a better low band weak signal reception than is possible with a typical transmit antenna. They use time-delay phasing to deliver improved directivity, a better signal-to-noise ratio, and enhanced reliability—all in less space than a Beverage antenna. These phased arrays are directivity-optimized to produce wider and deeper nulls, along with a narrower main lobe, which results in fantastic front-to-rear response. Directivity is switchable in four 90 degree spaced directions. Several packages are available, find the right one for your station at DXEngineering.com.



## DX ENGINEERING®

### PRO-STACK Broadband Antenna Phasing Systems

DX Engineering's PRO-STACK phasing systems allow you to combine multiple Yagi, log periodic, beam or quarter-wave verticals for enhanced performance. The PRO-STACK allows multiple selections of any or all antennas including in and out of phase combinations. There are 2- and 3-antenna systems, available with SO-239, Type N or 7-16 DIN connectors.



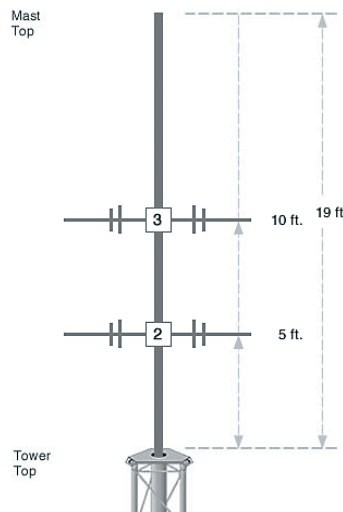
## DX ENGINEERING®

### Heavy-Duty 4130 Chromoly Steel Masts

DX Engineering offers masts perfectly suited to Amateur Radio. Available in 2 or 3 inch outside diameters, these galvanized steel masts have a 1/4" wall thickness for extra rigidity. They are sold in 22' sections. Ordering and delivery is a hassle-free process, and shipping is only \$109 to the lower 48 states.



## DX ENGINEERING® MAST LOAD ESTIMATOR



Use the free Mast Load Estimator at DXEngineering.com to determine the right mast for your application.



## DX ENGINEERING®

Are you ready for Field Day? DX Engineering is your go to source for all of your Field Day needs!

DX Engineering supports the BS7 Scarborough Reef DXpedition. [www.DXEngineering.com/TechArticles/News/DXGeneralNews](http://www.DXEngineering.com/TechArticles/News/DXGeneralNews)

DX Engineering supports the VK0EK Heard Island DXpedition. Email Support 24/7/365 at DXEngineering.com.

HEARD ISLAND  
The 2016 Cordell Expedition

VK0EK

DX ENGINEERING®

### Extended Phone Hours!

Sales: 1-800-777-0703

Monday-Friday: 8:30 am to Midnight  
Saturday & Sunday: 8:30 am to 5 pm

Tech: 1-330-572-3200

Monday-Friday: 8:30 am to 7 pm  
Saturday 9:00 am to 2 pm

DXEngineering.com Online 24/7

All Times Eastern  
Country Code: +1 Sale Code: 1605PVRC

# DX ENGINEERING®